



VERMOUTH

TECHNISCHES BLATT
SCHEDA TECNICA
DATA SHEET
FICHE TECHNIQUE

VIENNA 144 BARHOCKER

DESIGN GEBRÜDER THONET, 1908



Kaffeetisch mit gusseiserner Struktur, schwarz lackiert. Runde oder quadratische Tischplatte überzogen mit Laminat oder furniert Eiche Natur/gebeizt.

Tavolo da bar con struttura in fusione di ghisa verniciata nera. Top rotondo o quadrato rivestito in laminato o impiallacciato rovere naturale o tinto.

Bar table in cast iron painted black. Round or square top covered in laminate or natural/stained oak veneer.

Table de bar avec structure en fusion de fonte peinte en noir. Plateau rond ou carré recouvert de laminé ou plaque chêne naturel ou teinté.

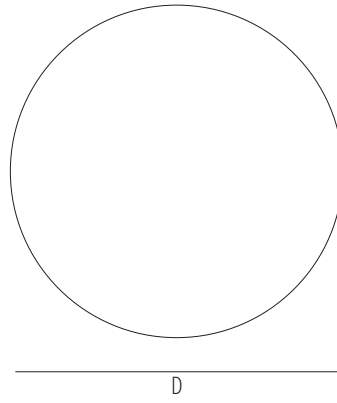
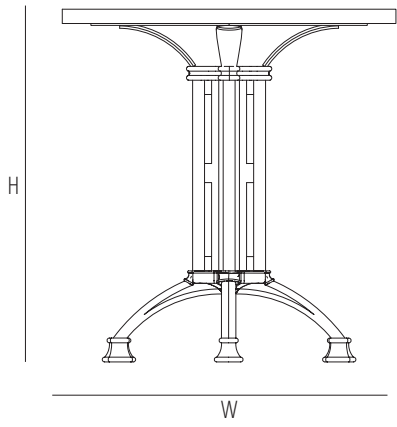
Mesa de bar con estructura en hierro fundido barnizado en negro. Parte superior redonda o cuadrada cubierta de laminado o chapada en roble natural o teñido.



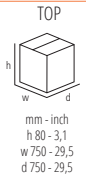
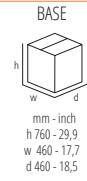
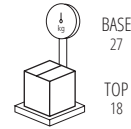
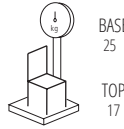
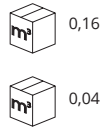
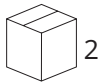
TVVERMBAR

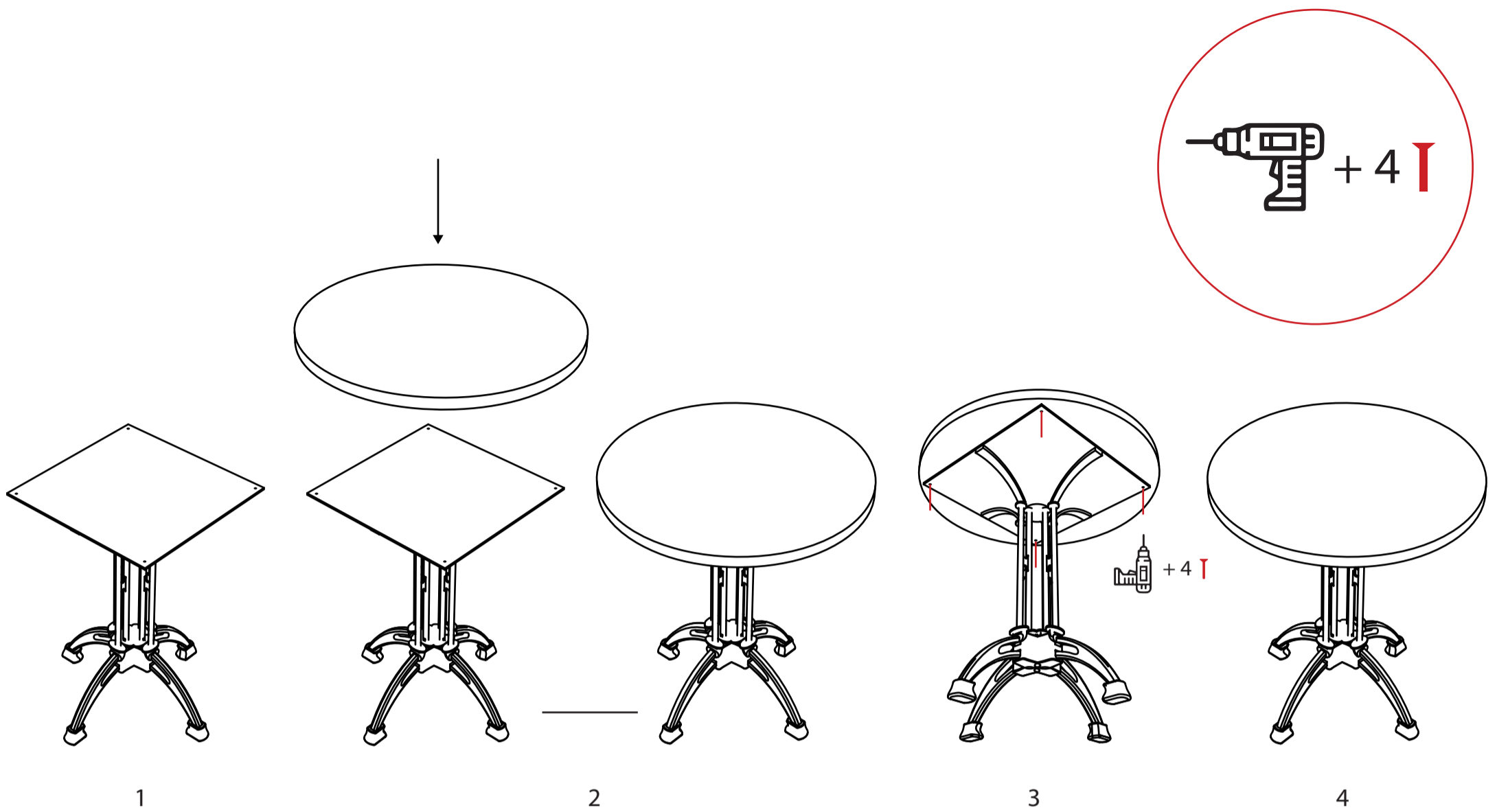
Dimensions mm.

height 760 | width 700 | depth 700



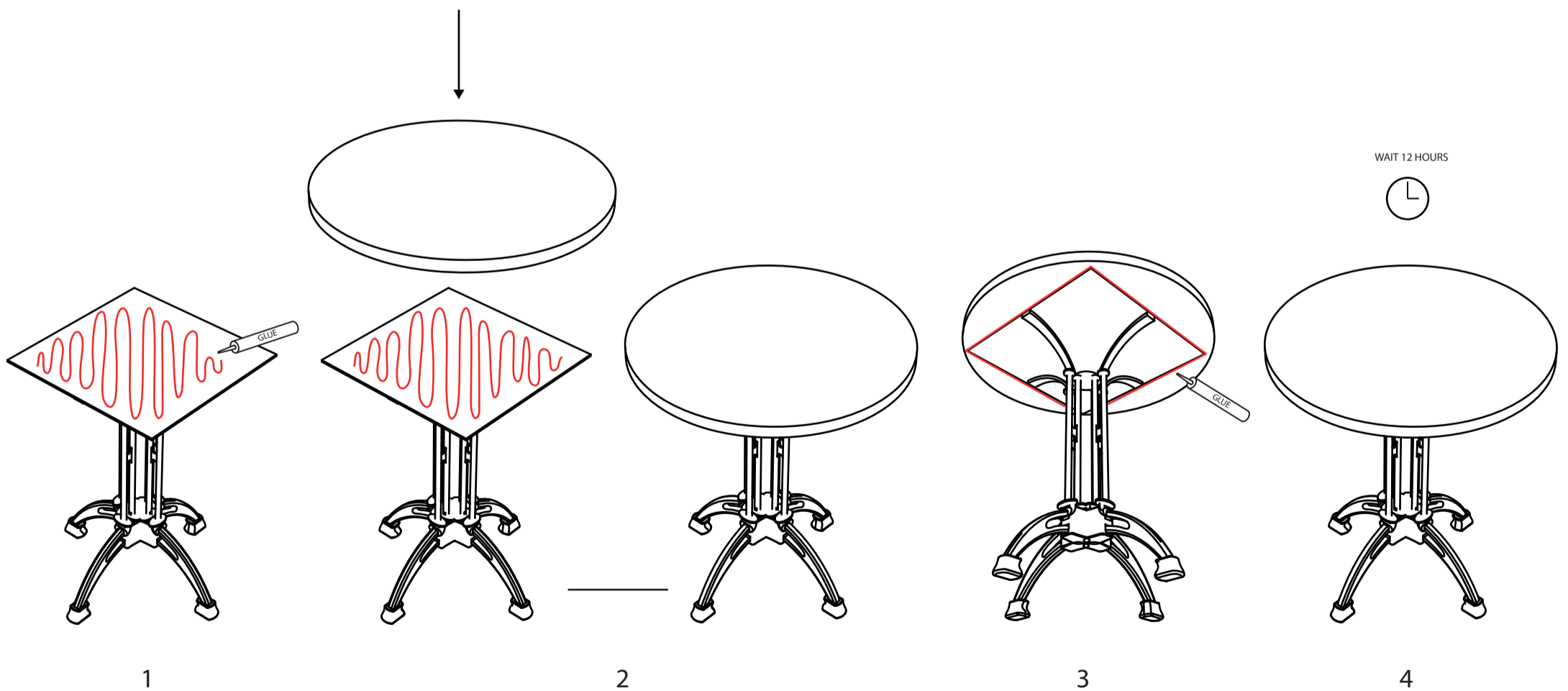
	H	W	D	SH	AH
mm	760	700	700		
inch	29,9	27,5	27,5		





If the table needs to be flipped over to facilitate installation, before doing so, we recommend you to place a clean cloth on the supporting surface to prevent the top from scratching.

assembly instructions only for marble top



If the table needs to be flipped over to facilitate installation, before doing so, we recommend you to place a clean cloth on the supporting surface to prevent the top from scratching.

Gebrüder Thonet Vienna GmbH
Prinz Eugen Straße 42
1040 Wien (AT)

www.gebruederthonetvienna.com

Offices of the trademarks' licensee
Production Furniture International S.p.A.
Via Foggia, 23/H
10152 Torino (TO) Italy

Phone: 0039 011 0133330 - info@gebruederthonetvienna.com